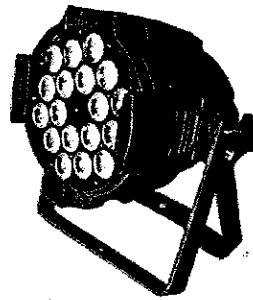


# P1812 6in1

---



CE



IP20

Pro Par 18\*12 6 in 1

# INTRODUCTION

---

Pro Par 1812 is part of a continuing pursuit to create high quality intelligent lighting. The unit is a DMX intelligent, high powered LED par . This fixture can be used in a stand alone mode or connected in a Master/Slave configuration. The unit can also be controlled via DMX controller. This wash has five operating modes: Sound Active mode, Auto mode, Slave mode, manual mode, and DMX control mode.

To optimize the performance of this product, please read these operating instructions carefully to familiarize yourself with the basic operations of this unit. These instructions contain important safety information regarding the use and maintenance of this unit. Please keep this manual with the unit, for future reference.

## Features:

- LED Refresh-rate 4000Hz suitable for use in TV studio
- USITT DMX 512 Address setting
- Mult-Colors
- Electronic Dimming 0-100%
- Built in Microphone
- 3-Pin DMX Connection
- 5 System modes: MANUAL/ AUTO/ SOUND/DMX/SLAVE
- DMX modes: 6chs,10chs
- 4 built-in programs
- Built-in automated programs via master/slave
- 4 digital display

# SPECIFICATION

---

## Electrical

LEDs: 18 x 12 Watt RGBWAP 6 in 1 LED's

Voltage: 100V ~ 240V/50~60Hz

Power Consumption: 216W

Color Mixing: RGBWAP

DMX Modes: 6chs, 10chs

## Optical lens

40°

## Communication

DMX Connector: 5pin XLR or 3pin XLR

## Housing

Dimension(mm): L240 X W240 X H260

Weight: 4.5KG

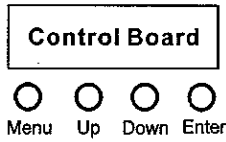
Material: Aluminium Alloy

Color: Black

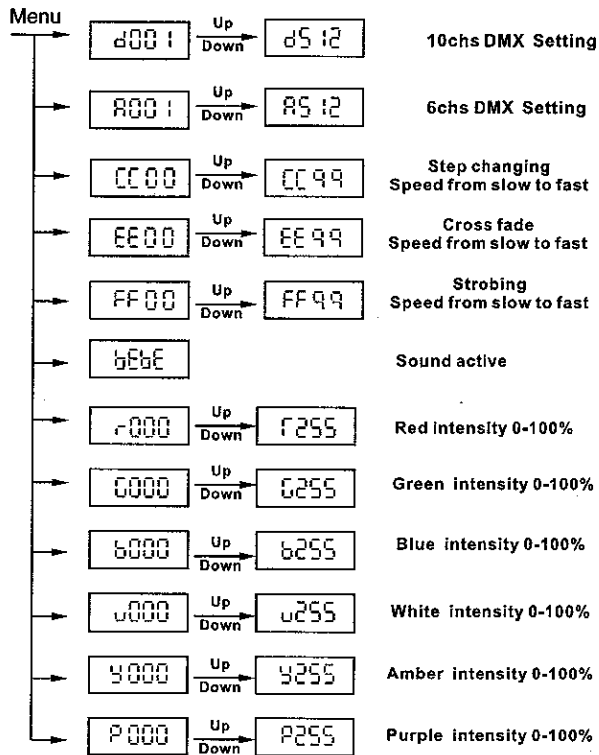
IP20

# OPERATION

Attention: It is important to read this manual before you install or use this product.



When navigating the menu:  
 Use "UP" button to move up.  
 Use "DOWN" button to move down.  
 Use "ENTER" button to go on.  
 Use "MENU" button to back.



# DMX SET

---

## 10 DMX Channels

Channel	Level	Function
Ch1	0-255	General-dimmer. Linear intensity adjustment 0-100%
Ch2	0-255	Linear Strobe frequency adjustment from 1 to 20HZ
Ch3	0-50	DMX Mode
	51-100	Step changing Speed from slow to fast
	101-150	Cross fade Speed from slow to fast
	151-200	Strobing Speed from slow to fast
	201-255	Sound active
Ch4	0-255	Auto running Speed from slow to fast
Ch5	0-255	Red Linear adjustment 0-100%
Ch6	0-255	Green Linear adjustment 0-100%
Ch7	0-255	Blue Linear adjustment 0-100%
Ch8	0-255	White Linear adjustment 0-100%
Ch9	0-255	Amber Linear adjustment 0-100%
Ch10	0-255	Purple Linear adjustment 0-100%

## 6 DMX Channels

Channel	Level	Function
Ch1	0-255	Red Linear adjustment 0-100%
Ch2	0-255	Green Linear adjustment 0-100%
Ch3	0-255	Blue Linear adjustment 0-100%
Ch4	0-255	White Linear adjustment 0-100%
Ch5	0-255	Amber Linear adjustment 0-100%
Ch6	0-255	Purple Linear adjustment 0-100%

## **GENERAL MAINTENANCE**

---

To maintain optimum performance fixtures should be cleaned frequently. Unplug fixture from power. Use a vacuum or air compressor and a soft brush to remove dust collected on external vents and internal components. Clean all glass gently when the fixture is cold with a mild solution of glass cleaner or Isopropyl Alcohol and a soft lint free cotton cloth or lens tissue.

### **IMPORTANT INFORMATION**

To reduce the impact on human health and the environment, old appliances must be collected separately.