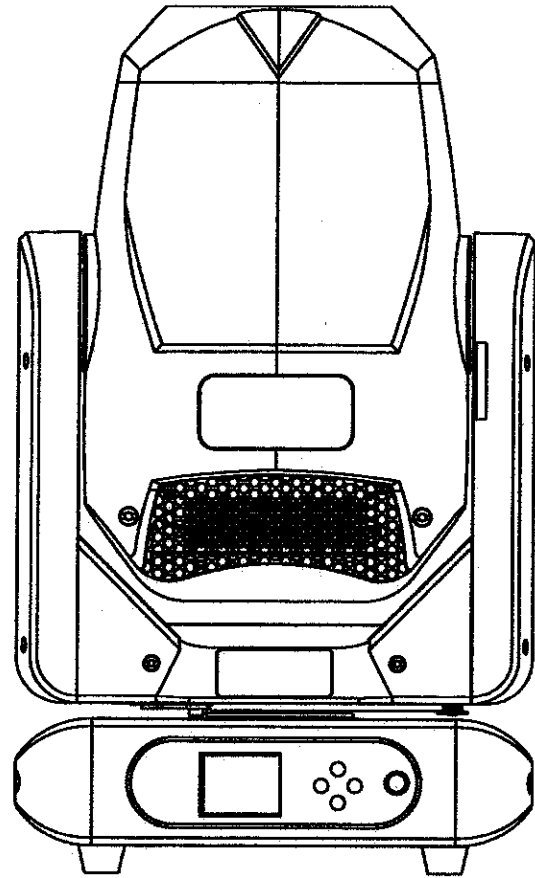


# Favolite Vader Pro 350



## USER MANUAL

### 1.Unpacking

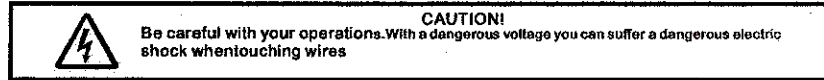
Thank you for choosing Vader Pro 350. For your own safety, please read this manual before installing the device. This manual covers the important information on installation and applications. Please operate the fixture with following instructions. Meanwhile, please keep this manual well for future need

The Vader Pro 350 is made of new type of high temperature strength of engineer plastics and cast aluminum casing with nice outlook. The fixture is designed and manufactured strictly following CE standards, complying with international standard DMX 512 PROTOCOL. It's available independently controlled and linkable with each other for cooperation. And it is applicable for large-scale liveperformance, theater, studio, nightclubs and disco.

Vader Pro 350 adopts powerful 300W LED which features high brightness and stability. Please carefully unpack it when you receive the fixture and check whether it is damaged during the transportation. And please check whether the following items are including inside the box:

Moving head light -----One  
Omega-----Two  
Signal Cable-----One  
Power Cable-----One  
User Manual-----One

## 2. Safety instructions



This device has left the factory in perfect condition. In order to maintain this condition to ensure a safe operation, it is absolutely necessary for the user to follow the safety instructions and warning notes written in this user manual.

If the device has been exposed to temperature change due to environmental changes, do not switch it on immediately. The arising condensation could damage the device. Leave the device switched off until it has reached room temperature.

## 3. Operate on instruction

- The moving head is for beam spot wash effect for onsite decoration purpose.
- Don't turn on the fixture if it's been through severe temperature difference like after transportation, because it might damage the light due to the environment changes.
- So make sure to operate the fixture until it is normal temperature.
- This light should be kept away from strong shaking during any transportation or movement.
- Don't pull up the light by only the head, or it might cause damages to the mechanical parts.
- Don't expose the fixture in overheat, moisture or environment with too much dust when installing it.
- And don't lay any power cables on floor. Or it might cause electronic shock to the people.
- Make sure the installation place is in good safety condition before installing the fixture.
- Make sure to put the safety chain and check whether the screws are screwed properly when installing the fixture.
- Make sure the lens are in good condition. It's recommended to replace the units if there are any damages or severe scratch.
- Make sure the fixture is operated by qualified person who knows the fixture before using.
- Keep the original packages if any second shipment is needed.
- Don't try to change the fixtures without any instruction by the manufacturer or the appointed repairing agencies.
- It is no in warranty range if there are malfunctions from not following the user manual to operate or any illegal operation, like shock short circuit, electronic shock, lamp broke, etc.

## 4. Mounting and Installation

### Cautions:

For added protection mount the fixture in areas outside walking paths, seating areas, or in areas where the fixture might be reached by unauthorized personnel. Before mounting the fixture to any surface, make sure that the installation area can hold a minimum point load of 10 times the device's weight. Fixture installation must always be secured with a secondary safety attachment, such as an appropriate safety cable.

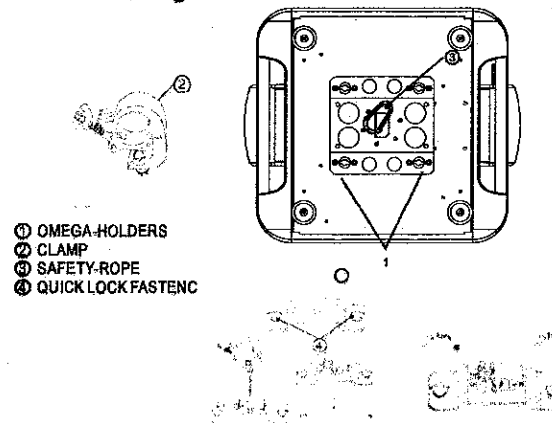
Never stand directly below the device when mounting, removing, or serving the fixture from a ceiling, or set on a flat level surface (see illustration below). Be sure the fixture is kept at least 0.5m (1.5ft) away from any flammable materials (decoration etc.) Always use and install the supplied safety cable as a safety measure to prevent accidental damage and/or injury in the event the clamp fails.

### Mounting points:

Overhead mounting requires extensive experience, including amongst others calculating working load limits, a fine knowledge of the installation material being used, and periodic safety inspection of all installation material and the fixture. If you lack these qualifications, do not attempt the installation yourself. Improper installation can result in bodily injury. Be sure to complete all rigging and installation procedures before connecting the main power cord to the appropriate wall outlet.

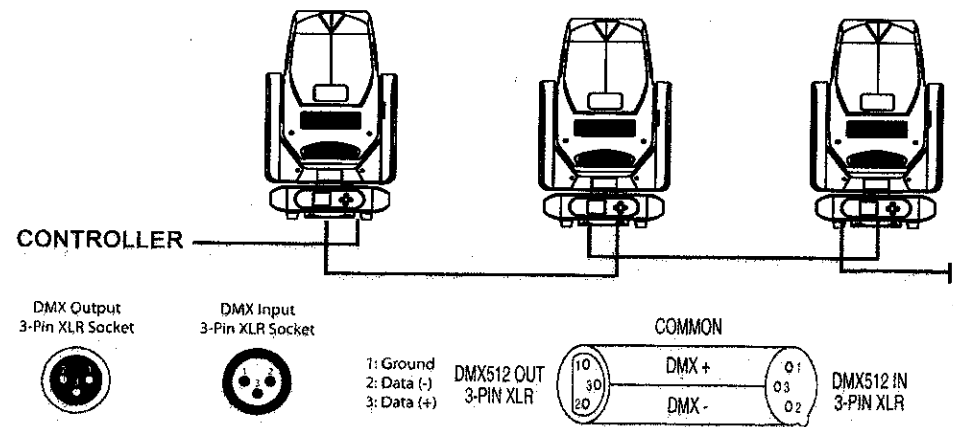
### Clamp mounting:

The Vader Pro 350 provides a unique mounting bracket assembly that integrates the bottom of the base, the included OMEGA BRACKET, and the safety cable rigging point in one unit (See the illustration below). When mounting this fixture to a truss, be sure to secure an appropriately rated clamp clamp to the included omega bracket using an M10 screw fitted through the center hole of the OMEGA BRACKET.

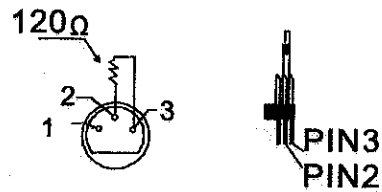


## 5. DMX 512 Control connection

Connect the provide XLR cable to the female 3 pin XLR Output of your control and the other side to the male 3-pin XLR input of the moving head, You can chain multiple Moving head together through serial linking. The cable needed should be two core, screened canle with XLR input and output connectors. Please refre to the diagram below. DMX-512 Connection with DMX terminator.

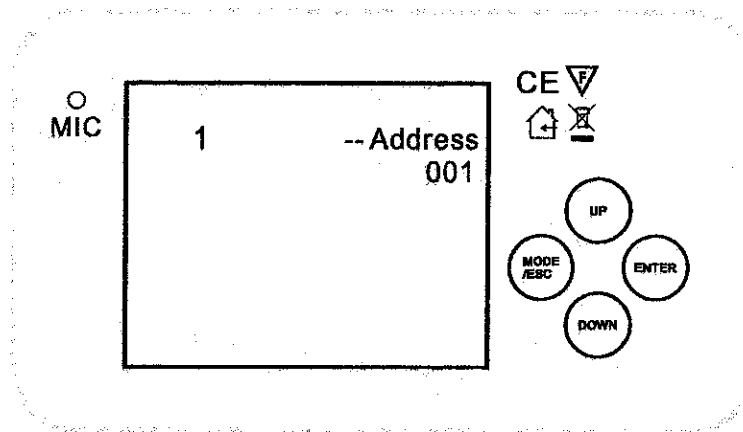


For installations where the DMX cable has to run a long distance or is in an electrically noisy enviromentsuch as in a disco, it is recommended to use a DMX terminator. This helps in preventing corruption of the digital control singal by electrical noisy. The DMX terminator is simply an XLR plug with a 120 resistor connected between pins 2 and 3, which is then plugged into the output XLR Socket of the last fixture in the chain. Please see illustrations

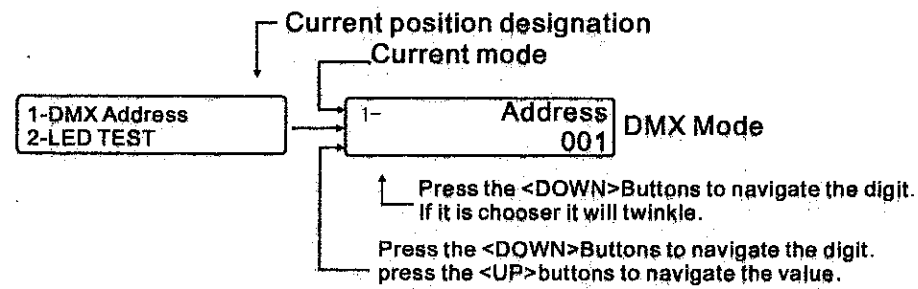


## The control Display

### 6. Top menu, present the current operation



Press the <UP> or <DOWN> button repeated until you reach the desired menu function. Press the <ENTER> button to select the menu function currently displayed, or to enable menu option. To return the previous option or menu without changing the value. Press the <MODE/ESC> button



Power on the moving head light, press the <MODE/ESC> or <ENTER> button, no any movement.

## 7. Menu for Control Display

GENERAL MENU	FUNCTION	OPERATION OPTIONS	
INFORMATION	ADDRESS	1~512	
	RUNTIME	TIME	
	VERSION		
	TEMPERATURE	MAIN BOARD LIGHT SOURCE	
	FAN SPEED		
	ERROR MESSAGE		
SETTING	RESET	REBOOT DEFAULT DATA	
	CHANNEL SET		
	SIGNAL	DMX512/ARTNET/PROGRAM	
	OFFLINE SET	HOME/HOLD	
	FAN MODE	NORMAL/PERFORMANCE/QUIET	
	WIRELESS SET	ON/OFF	
	ADJUST		
	ARTNET SET	IP ADDRESS	
		SUBNET MASK	
		UNIVERSE	
RDM UID			
LAMP	AUTO ON	NC	
	LIGHT UP	NC	
	LAMP ADJUST	NC	
	LAMP FAIL	NC	
DISPLAY	LANGUAGE	ENGLISH/CHINESE	
	BACKLIGHT	ON/OFF/FLASH	
	REVERSE	ON/OFF/AUTO	
USER	SETTING LOCK	INPUT CODE	
	KEY LOCK	ON/OFF	
	TEST	ON/OFF	
	PROGRAM	SELECT PROGRAM 1~8 PROGRAM 1~8	

### Note:

1. Above all projects to the actual lighting shall prevail, no notice if there is further modification;
2. The programming function provides only a very limited operation, in the case of no control units to use. Generally do not recommend the use of manual programming;
3. In the absence of the DMX512 signal, only need to set up first items, namely the address code can be used lamps.

## 8. 25 Control Channels

25CH	Function	Value	Feature
1	Pan	0~255	
2	Pan Fine	0~255	
3	Tilt	0~255	
4	Tilt Fine	0~255	
5	Colour Wheel	0~7	No Colour
		8~15	Colour1
		16~23	Colour2
		24~31	Colour3
		32~39	Colour4
		40~47	Colour5
		48~55	Colour6
		56~63	Colour7
		64~71	Colour8
		72~79	Colour9
		80~87	Colour10
88~95	Colour11		
96~103	No Colour		
104~221	Colour Arbitrary Positioning		
222~238	Rotate Left		
239~255	Rotate Right		
6	Cyan	0~255	
7	Magenta	0~255	
8	Yellow	0~255	
9	Colour Temperature	0~255	

10	Fixed Gobo	0~3	No Gobo		
		4~7	Gobo1		
		8~11	Gobo2		
		12~15	Gobo3		
		16~19	Gobo4		
		20~23	Gobo5		
		24~27	Gobo6		
		28~31	Gobo7		
		32~35	Gobo8		
		36~39	Gobo9		
		40~43	Gobo10		
		44~47	Gobo11		
		48~51	Gobo12		
		52~55	Gobo13		
		56~59	No Gobo		
		60~67	Gobo1 Shake From Slow To Fast		
		68~75	Gobo2 Shake From Slow To Fast		
		76~83	Gobo3 Shake From Slow To Fast		
		84~91	Gobo4 Shake From Slow To Fast		
		92~99	Gobo5 Shake From Slow To Fast		
		100~107	Gobo6 Shake From Slow To Fast		
		108~115	Gobo7 Shake From Slow To Fast		
		116~123	Gobo8 Shake From Slow To Fast		
		124~131	Gobo9 Shake From Slow To Fast		
		132~139	Gobo10 Shake From Slow To Fast		
		140~147	Gobo11 Shake From Slow To Fast		
		148~155	Gobo12 Shake From Slow To Fast		
		156~163	Gobo13 Shake From Slow To Fast		
		164~167	No Gobo		
		168~211	Rotate Left		
		212~255	Rotate Right		
		11	Rotating Gobo	0~7	No Gobo
				8~15	Gobo1
16~23	Gobo2				
24~31	Gobo3				
32~39	Gobo4				
40~47	Gobo5				
48~55	Gobo6				
56~63	Gobo7				
64~71	No Gobo				
72~79	Gobo1 Shake From Slow To Fast				
80~87	Gobo2 Shake From Slow To Fast				
88~95	Gobo3 Shake From Slow To Fast				
96~103	Gobo4 Shake From Slow To Fast				
104~111	Gobo5 Shake From Slow To Fast				
112~119	Gobo6 Shake From Slow To Fast				
120~127	Gobo7 Shake From Slow To Fast				
128~135	No Gobo				
136~195	Rotate Left				
196~255	Rotate Right				
12	Gobo Rotation			0~3	No Effect
				4~123	R-Gobo Angle
		124~187	Rotate Left		
		188~191	Stop		
		192~255	Rotate Right		

13	Dimmer	0~255	
		0~3	Open
14	Strobe	4~67	Strobe 1
		68~99	Strobe 2
		100~131	Strobe 3
		132~175	Strobe 4
		176~247	Strobe 5
		248~251	Random Strobe1
		252~255	Random Strobe2
15	Dimmer Mode	0~63	Refresh Rate 1200 Auto
		64~127	Refresh Rate 1200 Fast
		128~191	Refresh Rate 13672 Auto
16	Prism	192~255	Refresh Rate 13672 Fust
		0~31	No Prism
		32~255	Prism On
17	Prism Rotation	0~3	Prism Stop
		4~123	Prism Angle
		124~187	Rotate Left Fast To Slow
		188~191	Stop
		192~255	Rotate Right Slow To Fast
18	Zoom	0~255	
19	Focus	0~255	
		0~3	Do Not Use Auto Focus
		4~63	5M
		64~127	7.5M
		128~191	10M
20	Auto Focus Distance	192~255	15M
		0~255	Continuous Adjustment Within The Above Distance Range
		0~127	Open To Close
21	Auto Focus Distance Fine	128~135	Close
		136~173	Iris Movement 1
		174~211	Iris Movement 2
		212~249	Iris Movement 3
		250~255	Close
22	Iris Open	0~9	No Effect
		10~255	Liner Frost
23	Frost	0~255	Fast To Slow
24	Scan Speed	0~19	no used
		20~29	reset all
		30~39	reset pan,tilt
		40~49	reset colour,gobo,CMY,CTO
		50~59	reset zoom,focus,prism,frost
		60~69	No effect
		70~74	display default
		75~79	display off(don't Keep after shutdown)
		80~84	display on(don't Keep after shutdown)
		85~89	fan speed low(Keep after shutdown)
		90~94	fan speed medium(Keep after shutdown)
95~99	fan speed high(Keep after shutdown)		
25	Control	Please Hold The Value For More Than 8 Seconds To Take Effect,And Then Return To 0 To Avoid Repeated Activation.	

## 9. Specification

### OPTICS

- Light Source :300W White LED Module
- Lifetime: 50000 Hours
- Color temperature:7000K

### MOVEMENT

- Pan movement:540°(16 bit)
- Tilt movement :270°(16 bit)
- Automatic reset function

### COLORS

- 1+11 colors, Bi-directional rainbow effect
- Linear CMY+CTO

### GOBOS

- Fixed gobo wheel: 14 gobos + open
- Rotating gobo wheel: 7 HD interchangeable gobos +open

### FEATURE

- Prism:1 rotating and indexable prism (3,8,16,24 facet option)
- Iris: Linear adjustable with macro
- Frost: 1 pcs Frost Filter, linear frost
- Focus: Auto focus
- Zoom: 5°-45°linear adjustment
- Dimmer: 0-100% linear dimmer
- Strobe: Electronic strobe,0.3-20Times/SEC

### CONTRAL AND PROGRAMMING

- Standard mode: 25 channels
- Control mode: DMX512, 3-pin/5-pin DMX512; protocols RDM; wireless (option) and Art-Net (option)
- Manual programming: DMX and RDM data in/out
- Fan mode: NORMAL/PERFORMANCE/QUIET

### OTHER FUNCTION

- 2.4inch color LCD screen
- High reliability touch button
- Support Multi-language
- Automatic monitoring of light source temperature, high temperature automatic protection
- Intelligent cooling system
- DMX512 Software update
- Display lamps use time
- 100% brightness without stroboscopic problem
- Internal rechargeable battery (3.7V rechargeable lithium-ion battery)
- Maintenance mode
- Intelligent control of wind speed
- Reverse display
- Control panel lock

### POWER SUPPLY

- Input voltage:100V~240V AC 50/60Hz
- Rate power:500W@220V
- Power socket: power connector input and output
- DMX and RDM data in/out: Locking 3-pin / 5-pin XLR

### HOUSING

- Environmentally friendly flame retardant materials
- High temperature resistant engineering plastics
- Device locking PAN and TILT mechanisms for transportation and maintenance.
- Intellectual property rights of appearance and structure design

### IP GRADE

- IP:20

### DIMENSION AND WEIGHT

- Product Size:
- Carton size:680x450x345mm
- Flight case size(2in1): 540x500x820mm
- Net weight: 15KG

## 10. Maintenance Cleaning

The following points have to be considered during the inspection:

- 1)All screw for installing the devices or parts of the device have to be tightly connected and must be corroded.
- 2)There must not any deformations on the housing,color lenses,fixations and installation spots(Ceiling,suspension,trussing)
- 3)Mechanically moved parts must not show any traces of wearing and must not rotate with unbalances.
- 4)The electric power supply cables must not show any damage,material fatigue or sediments

Futher instruction depending on the installation spot and usage have to be adhered by a skilled installer and any safety problems have to be removed.



In order to male the lights in good condition and extend the life time, we suggest a regular clearning to the lights.

- 1)Clean the inside and outside lens each week to avoid the weakness of the lights due to accumulation of dust.
- 2)Clean the fan each week.
- 3)A detail electric check by approved electrical engineer each three month, make sure the circuit contacts are good condition, prevent the poor contact of circuit from overheating.

We recommend a frequent cleaning of the device.Please use a mosit,lint-free cloth.Never use alcohol or solvents.  
There are no seviceable parts inside the device.Please refer to the instructions under Installation instructions.